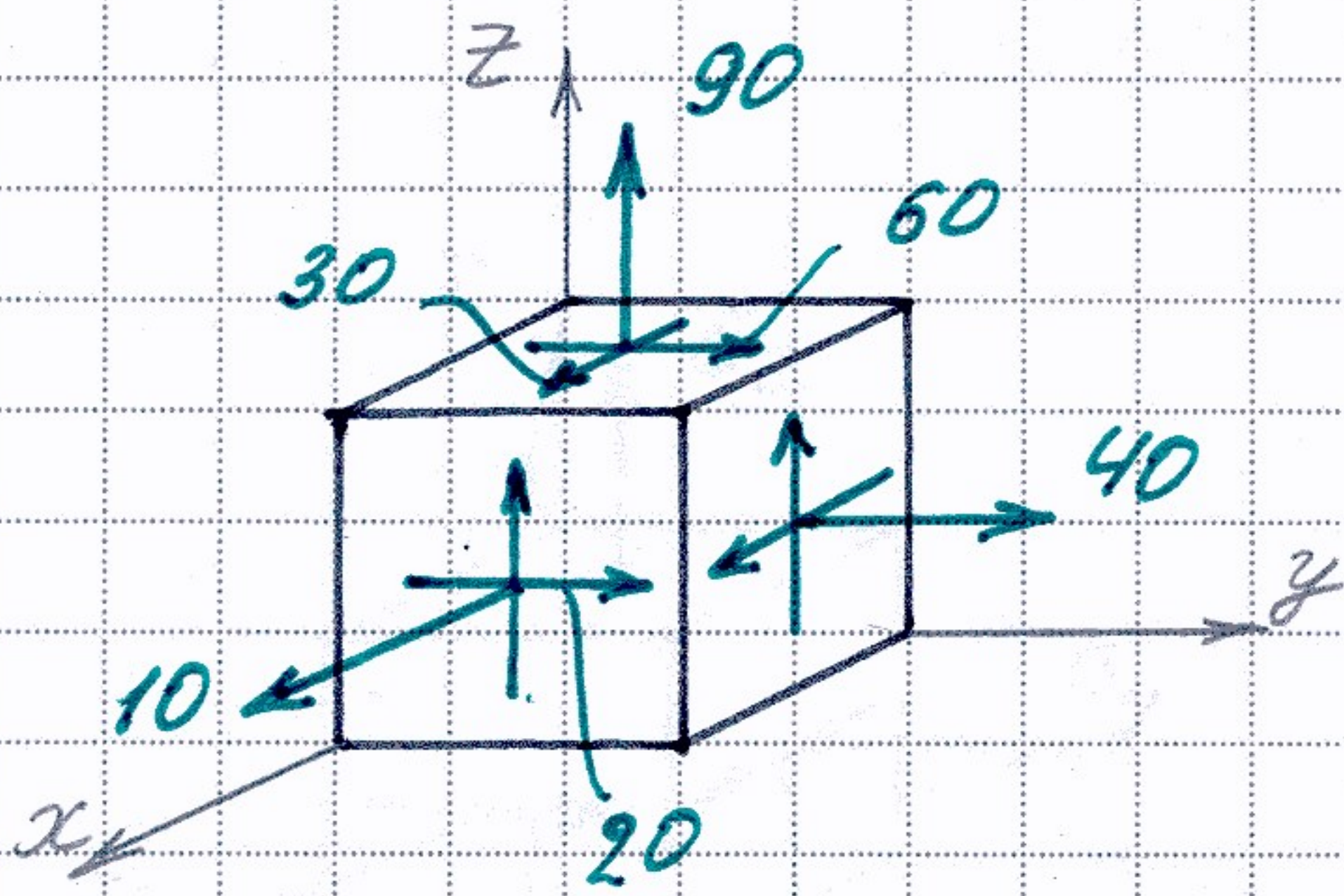


Пример VIII.1



$$\sigma_x = +10 \text{ МПа}$$

$$\sigma_y = +40 \text{ МПа}$$

$$\sigma_z = +90 \text{ МПа}$$

$$\tau_{xy} = \tau_{yx} = 20 \text{ МПа}$$

$$\tau_{yz} = \tau_{zy} = 60 \text{ МПа}$$

$$\tau_{zx} = \tau_{xz} = 30 \text{ МПа}$$

$$\sigma_1 = ? \quad \sigma_2 = ? \quad \sigma_3 = ?$$

Решение

$$I_1 = \sigma_x + \sigma_y + \sigma_z = 10 + 40 + 90 = 140$$

$$I_2 = \sigma_x \cdot \sigma_y + \sigma_y \cdot \sigma_z + \sigma_z \cdot \sigma_x - \tau_{xy}^2 - \tau_{yz}^2 - \tau_{zx}^2 =$$

$$= 10 \cdot 40 + 40 \cdot 90 + 90 \cdot 10 - 60^2 - 20^2 - 30^2 = 0$$

$$I_3 = \begin{vmatrix} 10 & 20 & 30 \\ 20 & 40 & 60 \\ 30 & 60 & 90 \end{vmatrix} = 0$$

$$\sigma^3 - I_1 \sigma^2 + I_2 \sigma - I_3 = 0$$

$$\sigma^3 - 140 \cdot \sigma^2 = 0$$

$$\text{Корни уравнения: } \sigma^I = 0, \sigma^{II} = 0, \sigma^{III} = 140$$

$$\sigma_1 \geq \sigma_2 \geq \sigma_3$$

$$\sigma_1 = 140$$

$$\sigma_2 = 0$$

$$\sigma_3 = 0$$

Одноосное напряжённое состояние. ($I_2 = 0, I_3 = 0$)

